

PRODUCT INFORMATION PACKET

Model No: 184TTFW4760

Catalog No: U325A

Close-Coupled Pump Motor, 5 & 3 HP, 3 Ph, 60 & 50 Hz, 230/460 & 190/380 V, 1800 & 1500 RPM,
184JM Frame, TEFC



Regal and Marathon are trademarks of Regal Rexnord Corporation or one of its affiliated companies.

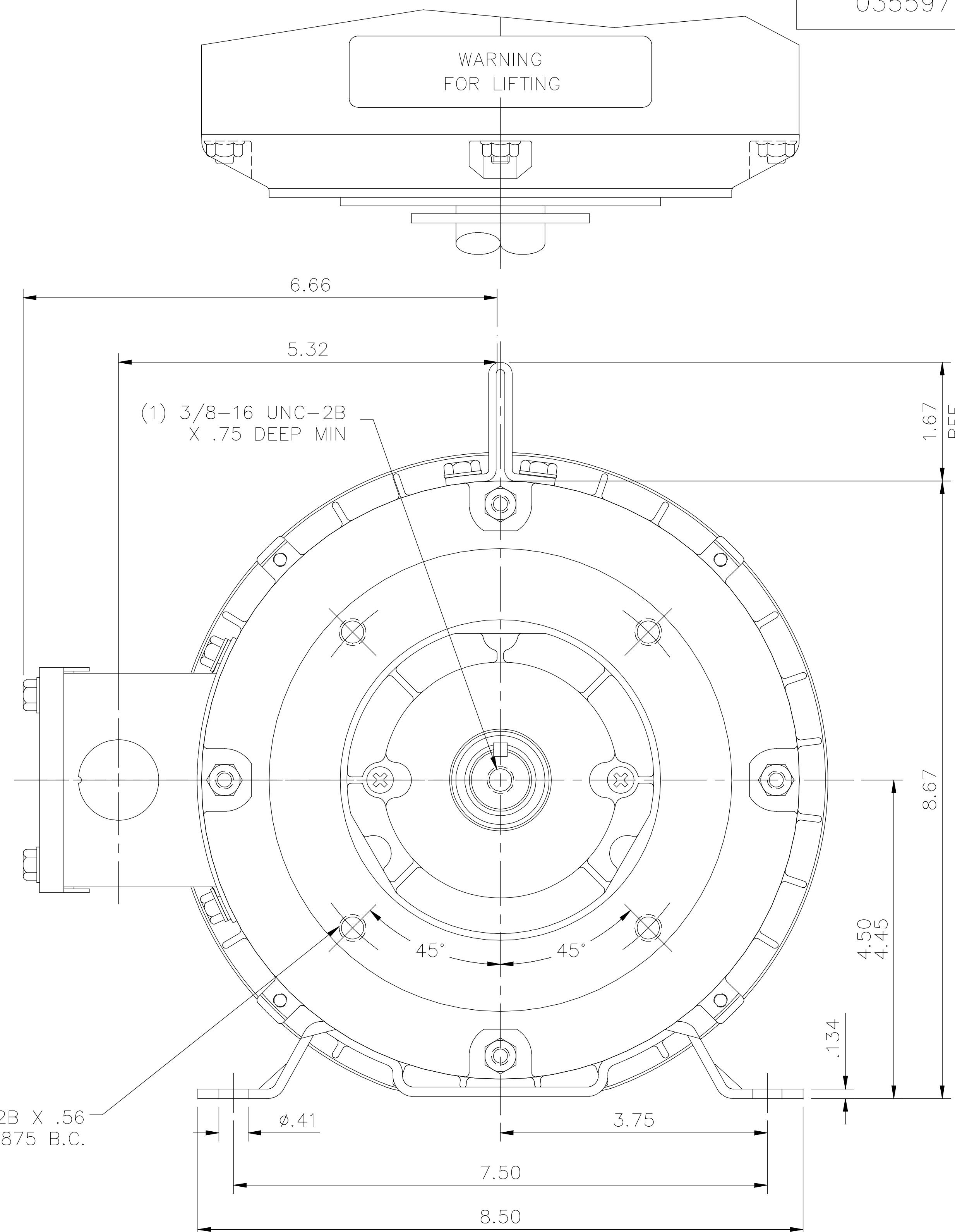
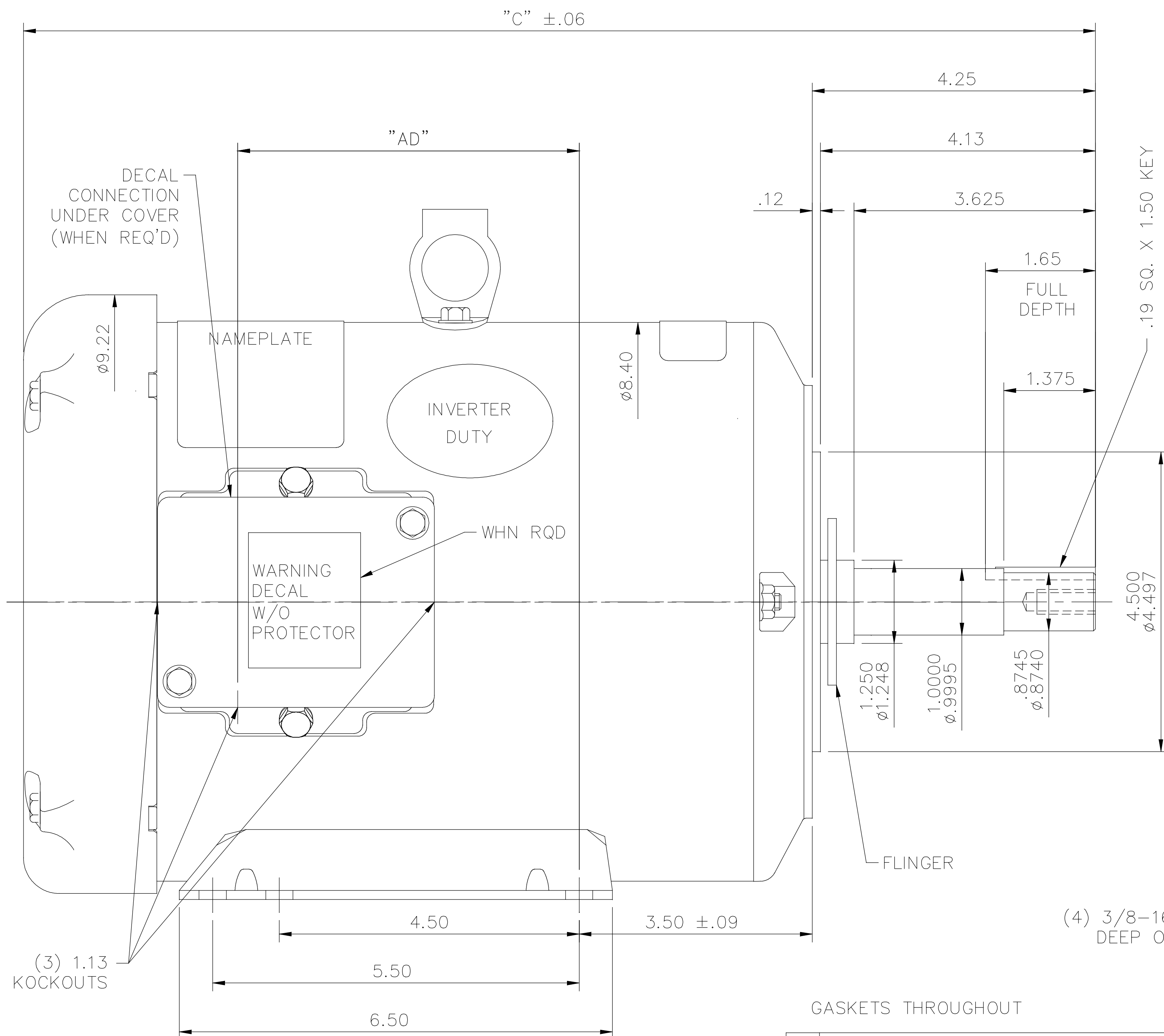
©2023 Regal Rexnord Corporation, All Rights Reserved. MC017097E

Nameplate Specifications

Phase	3	Output HP	5 & 3 Hp
Output KW	3.7 & 2.2 kW	Voltage	230/460 & 190/380 V
Speed	1760 & 1470 rpm	Service Factor	1.15 & 1.15
Frame	184JM	Enclosure	Totally Enclosed Fan Cooled
Thermal Protection	No Protection	Efficiency	87.5 & 87.5 %
Ambient Temperature	40 °C	Frequency	60 & 50 Hz
Current	13/6.5 & 10.6/5.3 A	Power Factor	82.1
Duty	Continuous	Insulation Class	F
Design Code	NO DESIGN CODE	KVA Code	J
Drive End Bearing Size	6207	Opp Drive End Bearing Size	6205
UL	Recognized	CSA	Y
CE	Y	IP Code	43
Number of Speeds	1		

Technical Specifications

Electrical Type	Squirrel Cage Induction Run	Starting Method	Across The Line
Poles	4	Rotation	Reversible
Resistance Main	3.08 Ohms	Mounting	Rigid Base
Motor Orientation	Horizontal	Drive End Bearing	Ball
Opp Drive End Bearing	Ball	Frame Material	Rolled Steel
Shaft Type	JM	Overall Length	15.59 in
Frame Length	8.50 in	Shaft Diameter	0.875 in
Shaft Extension	4.28 in	Assembly/Box Mounting	F1 ONLY
Outline Drawing	035597-850	Connection Drawing	005010.01ME



GASKETS THROUGHOUT

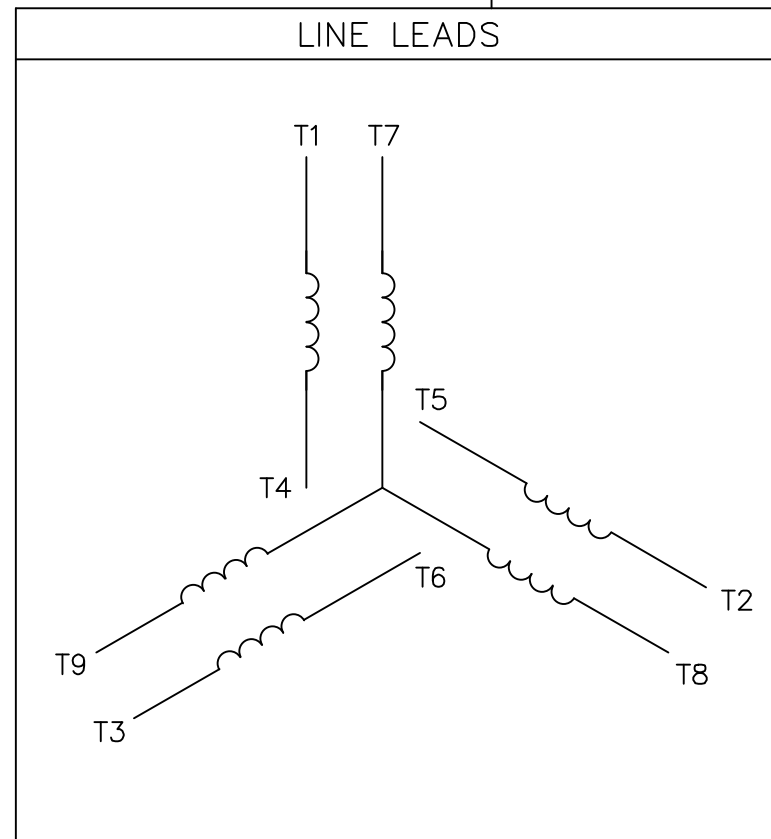
MAXIMUM FACE RUNOUT TO BE .004 T.I.R.
 MAXIMUM PILOT ECCENTRICITY TO BE .004 T.I.R.
 PERMISSIBLE SHAFT RUNOUT TO BE .002 T.I.R.

DASH NO.	"C"	"AD"
800	15.09	4.13
850	15.59	4.63
900	16.09	5.13
950	16.59	5.63
1000	17.09	6.13
1050	17.59	6.63
1100	18.09	7.13
1150	18.59	7.63

NO.	REVISION	BY & DATE	CHK	ANG	TOLERANCES UNLESS SPECIFIED	
					DEC.	INCHES
04	WARNING DECAL ADDED	NK 07/02/18	.X	±.1		
03	ADDED 800 DASH VALUE	KK 02/23/11	.XX	±.03		
02	SHAFT RUNOUT WAS .004,CBOX SCREWS CHANGED	VV 5/20/09	.XXX	±.005		
01	ADDED .19 SQ. X 1.50 KEY	GWS 3/12/08	.XXXX	±.0005		
				±1/2'		

Regal Beloit America, Inc.				DRAWN VV 12/13/07	
TITLE OUTLINE - 180JM FRAME TEFC - RIGID "C" - JM PUMP				CHK	
MAT'L.				APPD	
FINISH				SCALE 1=2	
CAD FILE 035597				REF	
SIZE B				FMF 184TFW8917	
DIST				PREV	
THIS DRAWING IN DESIGN AND DETAIL IS OUR PROPERTY AND MUST NOT BE USED EXCEPT IN CONNECTION WITH OUR WORK ALL RIGHTS OF DESIGN AND INVENTION ARE RESERVED THIS IS AN ELECTRONICALLY GENERATED DOCUMENT - DO NOT SCALE THIS PRINT				DRAWING NO. 035597	
				REV. 04	

VIEW FROM OUTSIDE OF MOTOR AT SWITCH END.



VOLTAGE	L1	L2	L3	JOIN & INSULATE
HIGH	T1	T2	T3	(T4,T7) (T5,T8) (T6,T9)
LOW	T1,T7	T2,T8	T3,T9	T4,T5,T6

		TOLERANCES UNLESS SPECIFIED		DRAWN RDW 04/12/02						
		DEC.	INCHES	CHK						
		.X	±.1	APPD						
		.XX	±.01	SCALE 1=1						
		.XXX	±.005	REF FIG.2-51						
		.XXXX	±.0005	FMF						
NO.	REVISION	BY & DATE	CHK	ANG	±1/2'	FINISH	PREV			
			RFP	04/12/02		CAD FILE	00501001ME	SIZE	DRAWING NO.	REV.
			DIST					A	005010-01ME	

THIS DRAWING IN DESIGN AND DETAIL IS OUR PROPERTY AND MUST NOT BE USED EXCEPT IN CONNECTION WITH OUR WORK ALL RIGHTS OF DESIGN AND INVENTION ARE RESERVED THIS IS AN ELECTRONICALLY GENERATED DOCUMENT - DO NOT SCALE THIS PRINT